

Item No.:  
Meeting Date:

4f\_attach\_2  
July 1, 2014

# Feeder 101 Tap & Fire Station Electrical Upgrades

- Fire Station

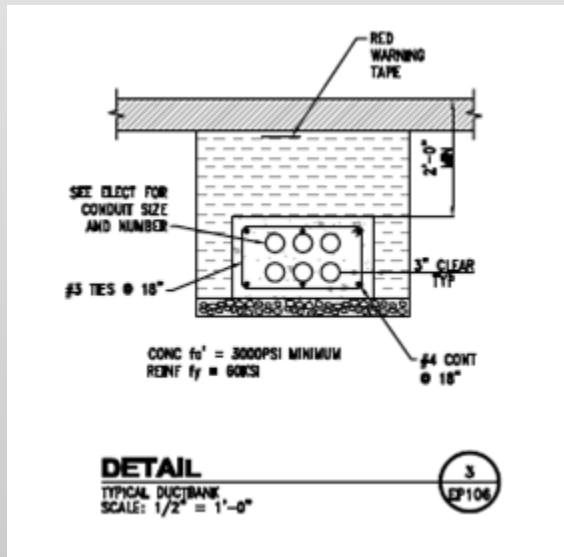


- Feeder 101



# Ductbanks

- Fire Station



- Feeder 101

